

Give your water heater enough space and air

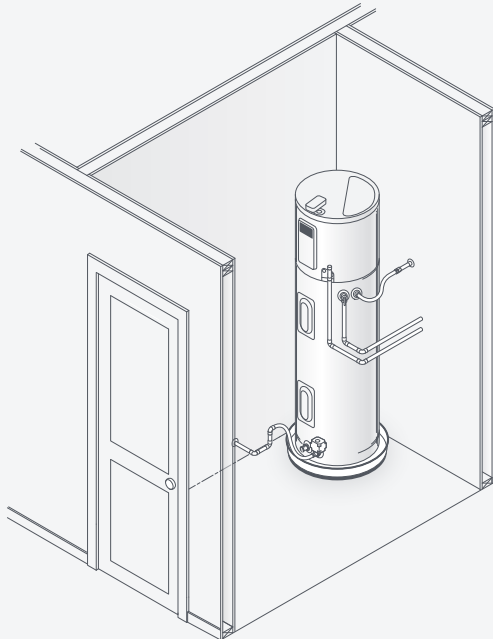
A heat pump water heater needs plenty of air. Look for a room with at least 700 cubic feet. In a smaller space, you can increase ventilation by installing air ducts or louvered doors.

Best-case scenario

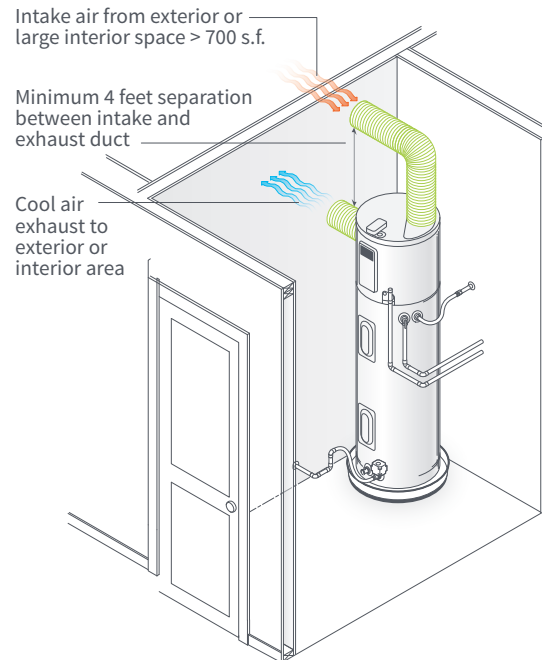
> Garage or space of at least 700 cu. ft.

For example, a 10-foot by 10-foot room with a 7-foot ceiling. At least one product requires 800 cubic feet.

A heat pump water heater pulls in warm air and blows out cold air. In a small space with little circulation, the air gets too cold for the water heater to work properly.

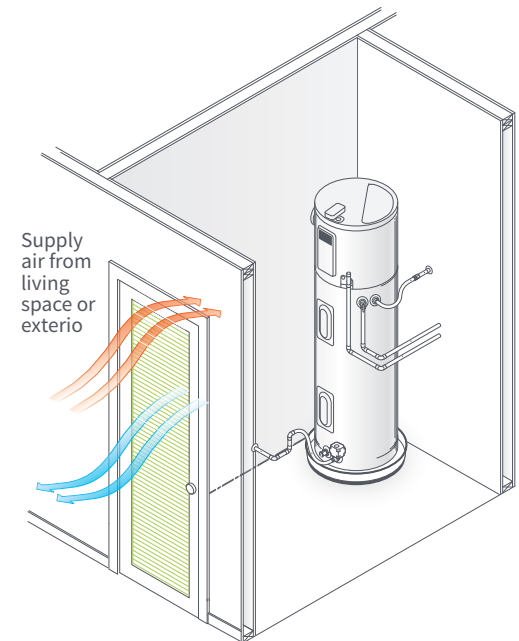


If your space is too small, here are two ways to circulate more air.



> Ventilate with air ducts

Heat pump water heaters can be connected to air ducts. In a smaller space, an air duct can supply warm air and a separate duct can remove cold air from the water heater outlet.



> Ventilate with louvered doors

Louvered doors are aesthetically pleasing without blocking air flow. Some water heaters have special requirements, but in small spaces you generally can use louvered doors for ventilation.